

The CSI-IR series of illuminators for CCTV applications is designed to produce clear night vision images for security surveillance. Cantronic's proprietary design allows evenly distributed illumination with viewing distances over 200 meters (660feet). Another advantage of these Illuminators is the lower power consumption, ranging from 3W - 50W only. The CSI-IR illuminators are weather resistant and come in 850nm or 940nm wavelength versions. Please see table on reverse for details.

The result of these innovations is a high-performance illuminator which delivers the farthest viewing distance and longest life of any infrared illuminator currently available on the market. The CSI-IR series of illuminators can be purchased separately or as part of a complete infrared CCTV camera system. They can also be retrofitted to existing CCTV cameras.



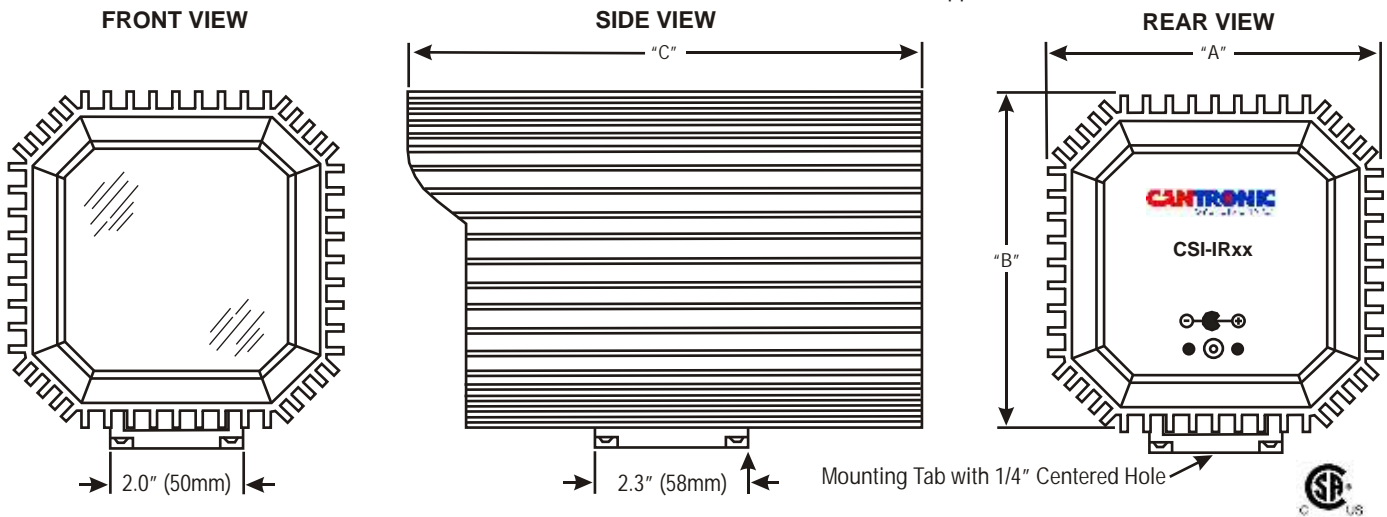
**Benefits:**

- Illumination distance range of 12m(40ft) - 200m(660ft)
- Low power usage of 3W - 50W
- Light weight rugged weatherproof housing
- Long lifespan of 10,000+ hours
- Available in 850nm and some models in 940nm
- Produces no infrared glare
- Photocell versions available
- Power supply included

**Specifications:**

<b>Distance</b>	12m(40ft) - 200m(660ft)*
<b>Illumination Method</b>	Special LED array
<b>Power</b>	3W - 50W, DC or AC input
<b>Lifespan</b>	10,000+ hours
<b>Construction</b>	Extruded aluminum housing
<b>Weight</b>	150g(.33lbs) - 1.3kg (2.8 lbs)

\*With Cantronic approved infrared sensitive cameras



Specifications subject to change without notice

Patent Pending

© Cantronic Systems Inc. 2002 - 2003

ISO9001 Certified

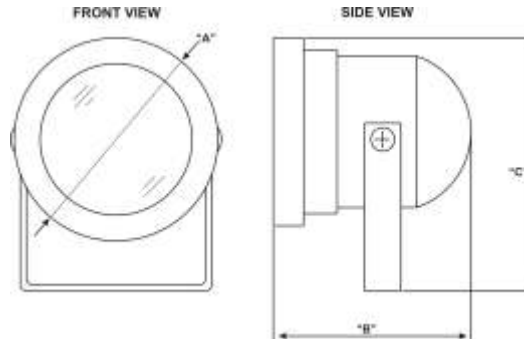
www.activeinfrared.com • www.cantronic.com  
 IRsales@cantronic.com • nightvision@cantronic.com  
 63A Clipper Street, Coquitlam, BC V3K 6X2 Canada  
 Tel: (604) 516-6667 • Fax:(604)516-6618  
 North America Toll Free 1-866-391-6970

Dealer/Distributor

Part Number	Angle	Distance(m)	Wavelength(nm)	Voltage/Power Usage	Dimensions (inches) "A" x "B" x "C"
CSI-IR12m	30°	12m(40ft)	850nm	DC12V /3W	2.7 x 2.7 x 3.5
CSI-IR18m30	30°	18m(60ft)	850nm	DC12V / 6W	2.7 x 2.7 x 3.5
CSI-IR30m30	30°	30m(100ft)	850nm	DC24V/110-220VAC/12W	5.1 x 5.1 x 5.9
CSI-IR30m60	60°	30m(100ft)	850nm	DC24V/110-220VAC/20W	5.1 x 5.1 x 7.0
CSI-IR50m30	30°	50m(165ft)	850nm	DC24V/110-220VAC/20W	5.1 x 5.1 x 7.0
CSI-IR50m60	60°	50m(165ft)	850nm	DC24V/110-220VAC/30W	5.1 x 5.1 x 7.8
CSI-IR100m30	30°	100m(330ft)	850nm	DC24V/110-220VAC/30W	5.1 x 5.1 x 7.8
CSI-IR100m60	60°	100m(330ft)	850nm	DC24V/110-220VAC/38W	6.5 x 6.5 x 7.8
CSI-IR200m10	10°	200m(660ft)	850nm	DC24V/110-220VAC/42W	6.5 x 6.5 x 7.8
CSI-IR200m30	30°	200m(660ft)	850nm	DC24V/110-220VAC/50W	6.5 x 6.5 x 7.8
CSI-IR30m30N	30°	30m(100ft)	940nm	DC24V/110-220VAC/20W	5.1 x 5.1 x 7.0
CSI-IR30m60N	60°	30m(100ft)	940nm	DC24V/110-220VAC/30W	5.1 x 5.1 x 7.0
CSI-IR50m30N	30°	50m (165ft)	940nm	DC24V/110-220VAC/30W	5.1 x 5.1 x 7.8
CSI-IR50m60N	60°	50m(165ft)	940nm	DC24V/110-220VAC/42W	6.5 x 6.5 x 7.8
CSI-IR100m10N	10°	100m(330ft)	940nm	DC24V/110-220VAC/42W	6.5 x 6.5 x 7.8



Model: 12m and 18m



To achieve viewing distances of 200m - 800m+, an integrated infrared CCTV camera system must be used. See Cantronic's model CIRP Integrated Infrared CCTV camera systems.

**Applications:**

- Night-time or covert surveillance
- Airport Perimeter
- Government Facilities
- Border and Harbor Patrols
- Prison Surveillance
- Police Surveillance
- Any facility that requires a high level of security



**Example:** Dual illuminator configuration to achieve viewing distances up to 800+ meters

**Options:**

Contact your local distributor or Cantronic direct for information on available options.

